

PMF SERIES

A full range of pyranometer mounting fixtures, for all Hukseflux pyranometers

Hukseflux offers an accessory range of practical brackets for mounting pyranometers. PMF01 is a metal bracket that helps mounting a pyranometer on a vertical mast, a horizontal crossarm, a flat wall or a fence. It allows for horizontal as well as tilted (POA, Plane of Array) orientation, in all climates and weather conditions. With its small footprint, in particular when combined with small footprint pyranometers with housings similar to those of SR300-D1 and SR30-M2-D1, PMF01 reduces snow build-up; snow will simply drop off. Model PMF02 enables a setup of two pyranometers, one horizontal, the other in POA; ideal for PV monitoring. PMF01 and PMF02 are compatible with all Hukseflux pyranometers. With the ventilation mounting adapter VMA01, VU01 ventilated pyranometers can also be installed on PMF01.



Figure 1 PMF01 pyranometer mounting fixture.



Figure 2 PMF01 pyranometer mounting fixture can be used for easy installation of a pyranometer, in this case SR30-M2-D1, in Plane of Array for PV system performance monitoring and meteorological applications.

Introduction

Hukseflux offers a range of practical pyranometer mounting fixtures. PMF series brackets allow for easy installation of Hukseflux pyranometers in all climates and weather conditions: on a vertical mast, a horizontal crossarm, a wall, a fence, in Plane of Array (POA) in single or dual setup, with ventilation unit or without. You name it!

PMF01

The use of PMF01, compatible with all Hukseflux pyranometers, is easy. Its spring-loaded central bolt allows easy mounting and levelling of pyranometers.

PMF02

PMF02 enables the setup of two pyranometers, of which one in POA, mounted to a surface or fence; ideal for PV system performance monitoring according to the latest IEC standards.

VMA01 option for PMF01

VMA01 is a ventilation mounting adapter allowing installation of a VU01 ventilation unit with a suitable Hukseflux pyranometer on PMF01.

Advantages

- quick installation
- easy levelling using spring-loaded bolt
- for mounting pyranometers on horizontal and vertical tubes, on platforms, both horizontal and in Plane of Array

Suggested use

- PV monitoring
- meteorological observations

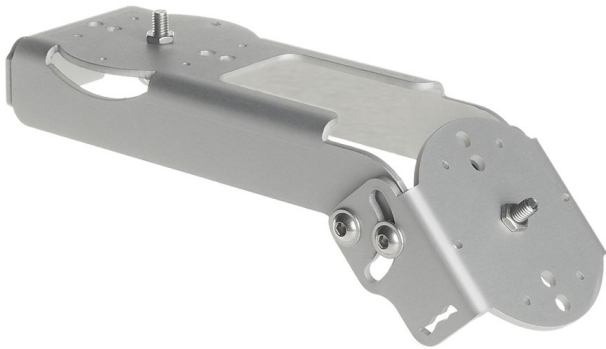


Figure 3 PMF02 for mounting two pyranometers, one in POA.

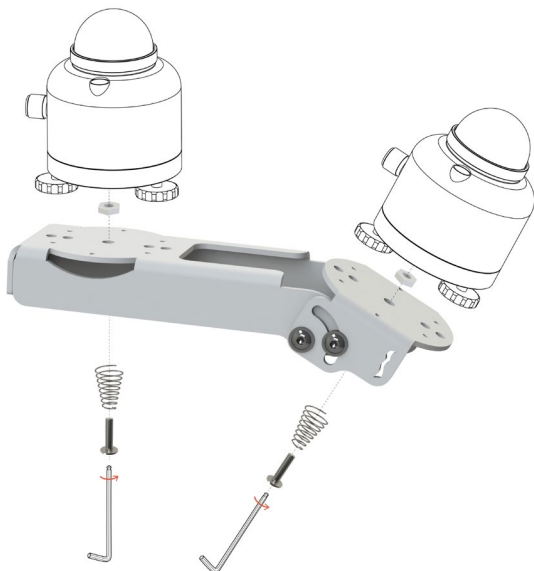


Figure 4 The PMF series manual provides easy-to-use instructions on installations with PMF series brackets.

PMF series specifications

PMF01

Instrument compatibility	SR300, SR200, SR100, SR30, SR25, SR22, SR20, SR15, SR12, SR11, or SR05 pyranometer; SR05 ball levelling diameter 27 to 60 mm
Tube compatibility	0 to 90 °
Tilt angles	anodised aluminium
Material	bracket;
Included parts	1 x M6 central spring loaded bolt; 4 x M5 bolt; 2 x tube clamp

PMF02

Instrument compatibility	2 x SR300, SR200, SR100. SR30, SR25, SR22, SR20, SR15, SR12, SR11, and SR05 pyranometers; SR05 ball levelling
Tilt angles	0 to 90 °
Material	anodised aluminium
Included parts	bracket; 2 x M6 central spring loaded bolt; 8 x M5 bolt

VMA01

Instrument compatibility	VU01 ventilated pyranometer + PMF01
Material	anodised aluminium
Included parts	VMA01 mounting adapter plate; 2 x M5 bolt + nut
Other parts needed	2 x M5 bolt + nut included with VU01

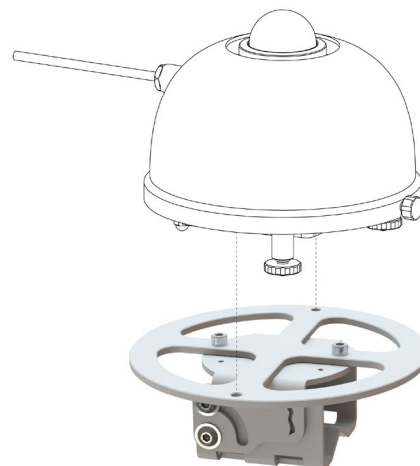


Figure 5 VMA01 mounting adapter enables mounting of a VU01 ventilated pyranometer on PMF01.



Figure 6 Top to bottom: PMF01, PMF02, VMA01+PMF01.

Table 1 Overview of versions in PMF series.

VERSIONS OF PMF SERIES	
PMF01	pyranometer mounting fixture, for all Hukseflux pyranometer models, for 1 x pyranometer, horizontal or tilted
PMF02	dual pyranometer mounting fixture, for all Hukseflux pyranometer models, for 1 x horizontal and 1 x tilted pyranometer
VMA01	ventilation mounting adapter for PMF01, for 1 x VU01 ventilated pyranometer, horizontal or tilted

Other Hukseflux mounting options

There are other mounting options available for our sensors. They allow for simplified mounting, levelling and instrument exchange on a flat surface or a tube.



Figure 7 Alternative mounting options are offered.

See also

- **SR300-D1**, **SR200-D1** and **SR100-D1** pyranometers
- **SR30-M2-D1** and **SR15** pyranometers with spring-loaded and tube levelling mount
- **SR05** with ball levelling and tube mount
- view our complete **range of solar sensors**

About Hukseflux

Hukseflux is the leading expert in measurement of energy transfer. We design and manufacture sensors and measuring systems that support the energy transition. We are market leaders in solar radiation- and heat flux measurement. Customers are served through the main office in the Netherlands, and locally owned representative sales offices in the USA, Brazil, India, China, Southeast Asia and Japan.

Interested in this product?
E-mail us at: info@hukseflux.com