

ALBEDOMETER MOUNTING INSTRUCTION FOR 1 x AMF03 AND 2 x pyranometer

Out of two pyranometers with housings similar to those of SR300-D1 and SR30-M2-D1 and one AMF03 albedometer mounting kit, you can construct an albedometer yourself. This instruction sheet shows you how. Included in the AMF03 kit are one glare screen and one fixture with rod. Mounting hardware and tools are also included. Use this instruction sheet to mount the components of your albedometer. Please consult the user manual of SR300-D1, SR200-D1, SR100-D1, SR30-M2-D1, SR15-A1 or the digital SR15 series for more information on the sensor and its use.

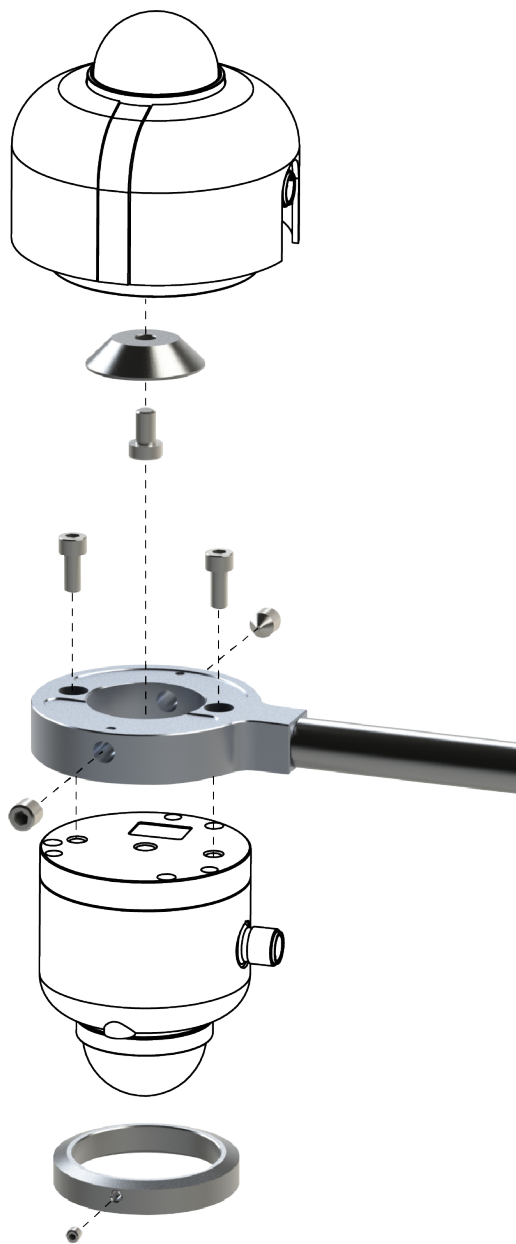


Figure 1 AMF series mounting.

Tools required (included)

- hex key no. 2 (2 mm)
- hex key no. 4 (4 mm)

Mounting and fixation steps 1 to 6

*Mind the safety of the glass domes at each step!
Keep the dome protector installed when possible.*

1. Remove the feet of both sensors.
2. Remove the sun screen from the downward-facing sensor.
3. Mount the downward-facing pyranometer (sensor with glare screen) to the fixture with rod using two M5x12 screws and a 4 mm hex key.
4. Fasten the conical positioner to the upward-facing pyranometer (sensor with sun screen) using one M6x8 screw and a 4 mm hex key.
5. Mount the upward-facing pyranometer (with its sun screen and conical positioner) to the fixture. Fasten with the M8x12 screws using a 4 mm hex key.
6. Optionally: install the glare screen on the downward-facing sensor using a 2 mm hex key. You may also decide to mount the glare screen after transport and on-site installation, so that the dome protector can remain installed.

Instrument Compatibility

2 x SR300, SR200, SR100, SR30, SR15

Included in AMF03

- (1 x) glare screen
- (1 x) AMF03 fixture with rod (diameter 15 mm)
- (1 x) conical positioner
- (2 x) M5x12 socket head cap screw
- (1 x) M6x8 socket head cap screw
- (2 x) M8x12 set screw